

RECTIFICATION

Unfortunately, in the issue number 1/2006 *Metrology and Measurement Systems* in the article: Zygmunt L. Warsza “Two-parameter measurements and signal conditioning in double – current supply four – terminal resistance circuits” has been error in contents of the Fig. 2. The correct contents of this figure is given below.

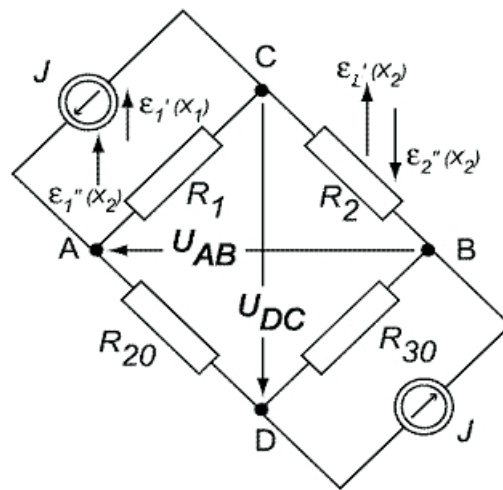


Fig. 1. Principle of two variable x_1, x_2 measurements by the antisymmetric double current bridge of $R_1 = R_{30}, R_{40} = R_{20}$.

For mistake editors apologise of the Author.